



Ürün Kodu/Product Code /Код продукта
LEN PE 802

MERCİMEK SOYMA MAKİNESİ
LENTIL PEELING MACHINE



BEYAMACHINE
SEED PROCESSING

FOTOSORTER®
RENKAYIRMA MAKİNESİ

LA RECOLTE
DUMONDE

EXCELL CLEANERS®

Fabrika/Factory: Mersin Tarsus 2. Organize Sanayi Bölgesi Rasim Dokur Bulvarı No: 19 Akdeniz MERSİN/TURKEY

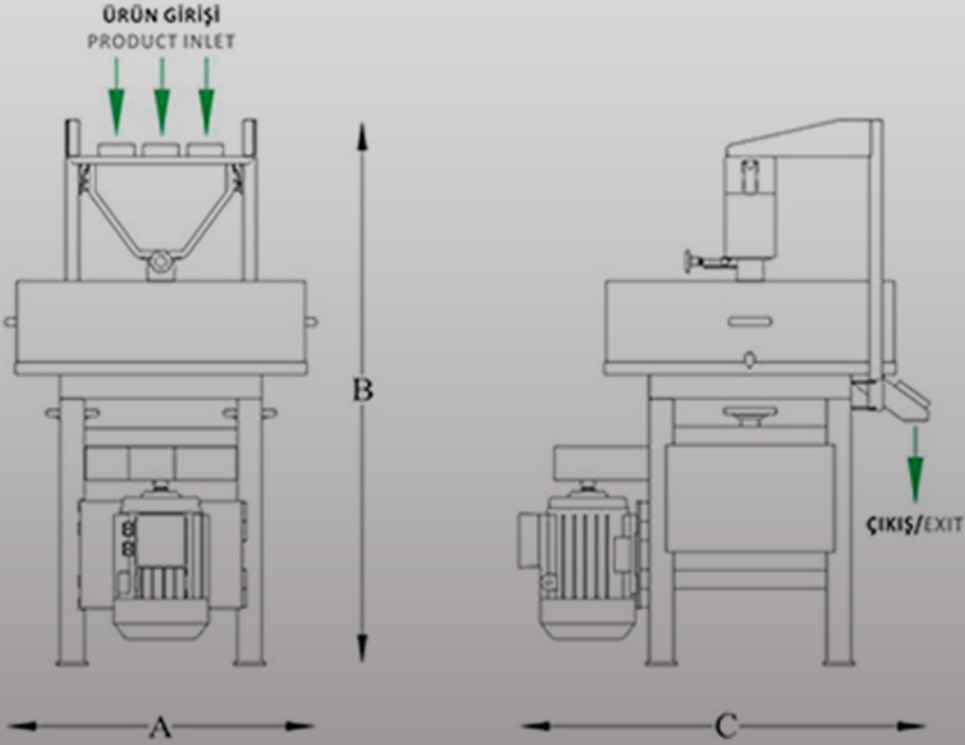
www.selectionmachines.com

Gsm: +90 506 761 14 43

E-mail: yalcinokat@selectionmachines.com



TOHUM İYİLEŞTİRME VE İŞLEME TEKNOLOJİLERİ
SEED CONDITIONING & PROCESSING TECHNOLOGIES



ÖLÇÜLER mm DIMENSIONS			MOTOR kW	KAPASİTE t/s CAPACITY t/h	AĞIRLIK kg WEIGHT	SEVK ALANI m ² TRANSPORT AREA
A	B	C				
1020	1790	1340	5.5	~ 1	620	3
1070	1790	1400	7.5	~ 1.3	705	3.3

Red Lentil, Green Lentil, Mashed Broad Bean (Fava)

Ürün Kodu/Product Code /Код продукта
LEN PE 802

MERCİMEK SOYMA MAKİNESİ
LENTIL PEELING MACHINE



BEYAMACHINE
SEED PROCESSING

FOTOSORTER
RENK AYIRMA MAKİNESİ

LA RECOLTE
DUMONDE

EXCELL CLEANERS®

Fabrika/Factory: Mersin Tarsus 2. Organize Sanayi Bölgesi Rasim Dokur Bulvarı No: 19 Akdeniz MERSİN/TURKEY

www.selectionmachines.com

Gsm: +90 506 761 14 43

E-mail: yalcinokat@selectionmachines.com

